

AMC608



KEY FEATURES

- Single-width, mid-height (full-height option available)
- PCIe x4 Lane Gen2 (5.0 Gb/s per lane)
- 2.5" SAS/SATA HDD
- VGA Interface with 128MB of Memory
- Resolution @ 1920x1200
- Two USB 2.0 ports @ 480Mbits/s
- AMC.1 and AMC.3 compliant
- IPMI 2.0 compliant
- RoHS compliant
- OS support for:
 - Linux
 - Windows
 - Solaris
 - VxWorks

The AMC608 is a multi I/O adapter in the Advanced Mezzanine Card (AMC) form factor. The AMC608 combines a 2.5" SAS/SATA HDD, Graphic and USB in a single-width, mid-height AMC form factor.

The AMC608 is AMC.1 and AMC.3 compliant. The PCIe interface is Gen2 (each lane runs at 5Gb/s).

The SATA hard disk drive can support data transfer rates of over 100 Mbyte/s and provides up to 320 GB of storage capacity.

The AMC608 is also available with a Solid State Flash drive or SAS Drive. The SAS drive have transfer rate of 3Gbps.

VadaTech can modify this product to meet special customer requirements without NRE (minimum order placement is required).

AdvancedMC™

AMC 2.5" SAS/SATA, Graphics and USB

SPECIFICATIONS

| Architecture | | |
|--|---|---|
| Physical | Dimensions | Single-Width, Mid-Height (Full Height option) |
| | | Width: 2.89 in. (73.5 mm) |
| | | Depth: 7.11 in. (180.6 mm) |
| Product Type | AMC Multi I/O | Graphic resolution @ 1920x1200 with 128Mbytes of Memory |
| | | USB 2.0 @ 480Mbit/s |
| | | 2.5" SAS/SATA, Graphic and USB |
| | | Optional Solid State Disk drive (contact Sales for capacity and availability) |
| | | SATA 5400 RPM (with an option for 7200 RPM drive), <12ms average seek time |
| | | SATA up to 300 Gbytes Hard Drive Capacity, 16 Mbyte buffer |
| | | SATA 150 Mbyte/s transfer rate |
| | | SAS up to 146Gbyte Hard Drive Capacity |
| SAS 10,025 RPM, < 4.5 ms average seek time | | |
| Standards | | |
| AMC | Type | AMC.1 and AMC.3 |
| Module Management | IPMI | IPMI Version 2.0 |
| PCIe | Lanes | x4 Gen2 |
| Configuration | | |
| Power | AMC608 | 8W Typical |
| Environmental | Temperature | Operating Temperature: 0° to 60° C (Air flow requirement is to be greater than 200 LFM) |
| | | Storage Temperature: -40° to +70° C |
| | Vibration | Operating 9.8 m/s ² (1.0G), 5-500Hz |
| | Shock | Operating 325G/2ms, 160G/1ms |
| | Relative Humidity | 5 to 95 percent, non-condensing |
| Front Panel | Interface | VGA on DB-15 |
| | | USB on mini-A type |
| | LEDs | IPMI Management Control SAS Activity and PCIe LNK |
| | Mechanical | Hot Swap Ejector Handle |
| Software Support | Operating Systems | Linux, Windows, Solaris and VxWorks |
| Other | | |
| MTBF | MIL 217-F > TBD | |
| Certifications | Designed to meet FCC, CE and UL certifications where applicable | |
| Standards | VadaTech is certified to both the ISO9001:2000 and AS9100B:2004 standards | |
| Compliance | RoHS and NEBS | |
| Warranty | Two (2) years | |
| Trademarks and Logos | The VadaTech logo is a registered trademark of VadaTech, Inc. Other registered trademarks are the property of their respective owners. AdvancedMC™ and the AdvancedTCA™ logo are trademarks of the PCI Industrial Computers Manufacturers Group. All rights reserved. Specification subject to change without notice. | |

AMC 2.5" SAS/SATA, Graphics and USB

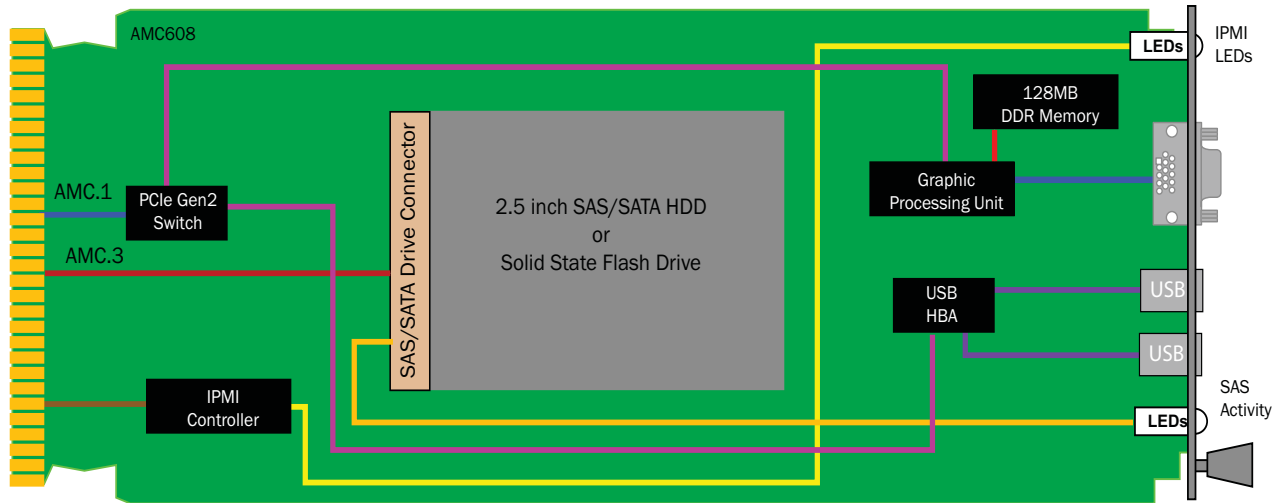


FIGURE 1. AMC608 Functional Block Diagram

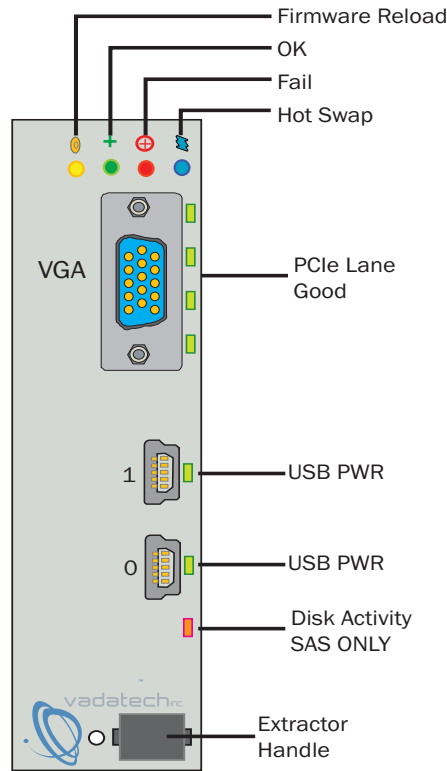


FIGURE 2. AMC608 Front Panel

AMC 2.5" SAS/SATA, Graphics and USB

ORDERING OPTIONS

AMC608 - ABC - DE0 - 00J

A = SATA Drive Capacity

- 0 = None
- 1 = 250 GB
- 2 = 500 GB
- 3 = Reserved
- 4 = Reserved
- 5 = Reserved
- 6 = Reserved
- 7 = 2.5" Solid State Flash drive

(Contact Sales for availability)

B = SAS Drive Capacity

- 0 = None
- 1 = Reserved
- 2 = 146 GB
- 3 = 300 GB
- 4 = 600 GB
- 5 = Reserved

C = Height

- 1 = Reserved
- 2 = Mid-Height
- 3 = Full-Height

*Available for the SSD option only

D = Temp

- 1 = Extended*
Temperature Range
(-20° C to +80° C)
- 2 = Standard
Temperature Range
(0° C to +60° C)

J = Conformal Coating

- 0 = None
- 1 = Humiseal 1A33 Polyurethane
- 2 = Humiseal 1B31 Acrylic

E = Graphic Memory

- 0 = 128MB

